

WORM DRIVE CLAMPS

APPLICATION

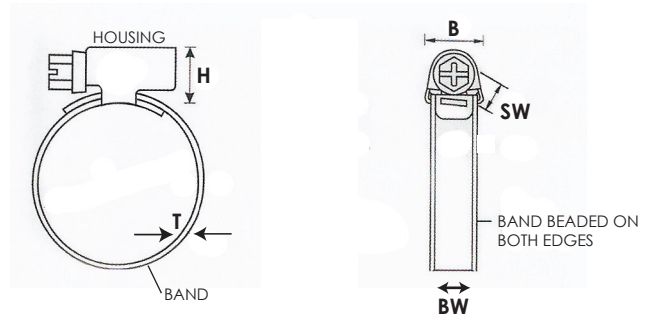
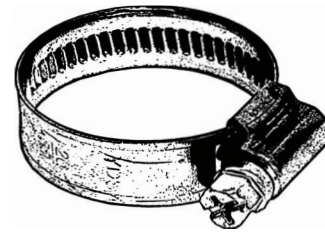
FOR USE OF CONNECTING PIPES IN GENERAL INDUSTRIAL MECHANICAL APPLICATIONS, ADVANCED AUTO AND CONSTRUCTION WITH LOW REQUIREMENTS IN REGARDS TO CORROSION RESISTANCE.

MATERIAL

HOUSING - STAINLESS STEEL

BAND - STAINLESS STEEL

SCREWS - YELLOW CHROMATE CARBON STEEL



SPECIFICATIONS

PART NUMBER	H	BW	T	B	SW	R
	HEIGHT	BAND WIDTH	THICKNESS	HOUSING WIDTH	WIDTH ACROSS FLATS	CLAMPING RANGE
	MM	MM	MM	MM		MM
3504	11	9	0.6	12	7	8-12
3506	11	9	0.6	12	7	12-20
62010	11	12	0.7	15	7	16-25
62012	11	12	0.7	15	7	16-27
62016	11	12	0.7	15	7	20-32
62020	11	12	0.7	15	7	21-44
62024	11	12	0.7	15	7	27-51
62028	11	12	0.7	15	7	34-57
62032	11	12	0.7	15	7	40-60
62040	11	12	0.7	15	7	29-76
62048	11	12	0.7	15	7	60-80
62052	11	12	0.7	15	7	70-90
62057	11	12	0.7	15	7	80-100
62064	11	12	0.7	15	7	67-114

